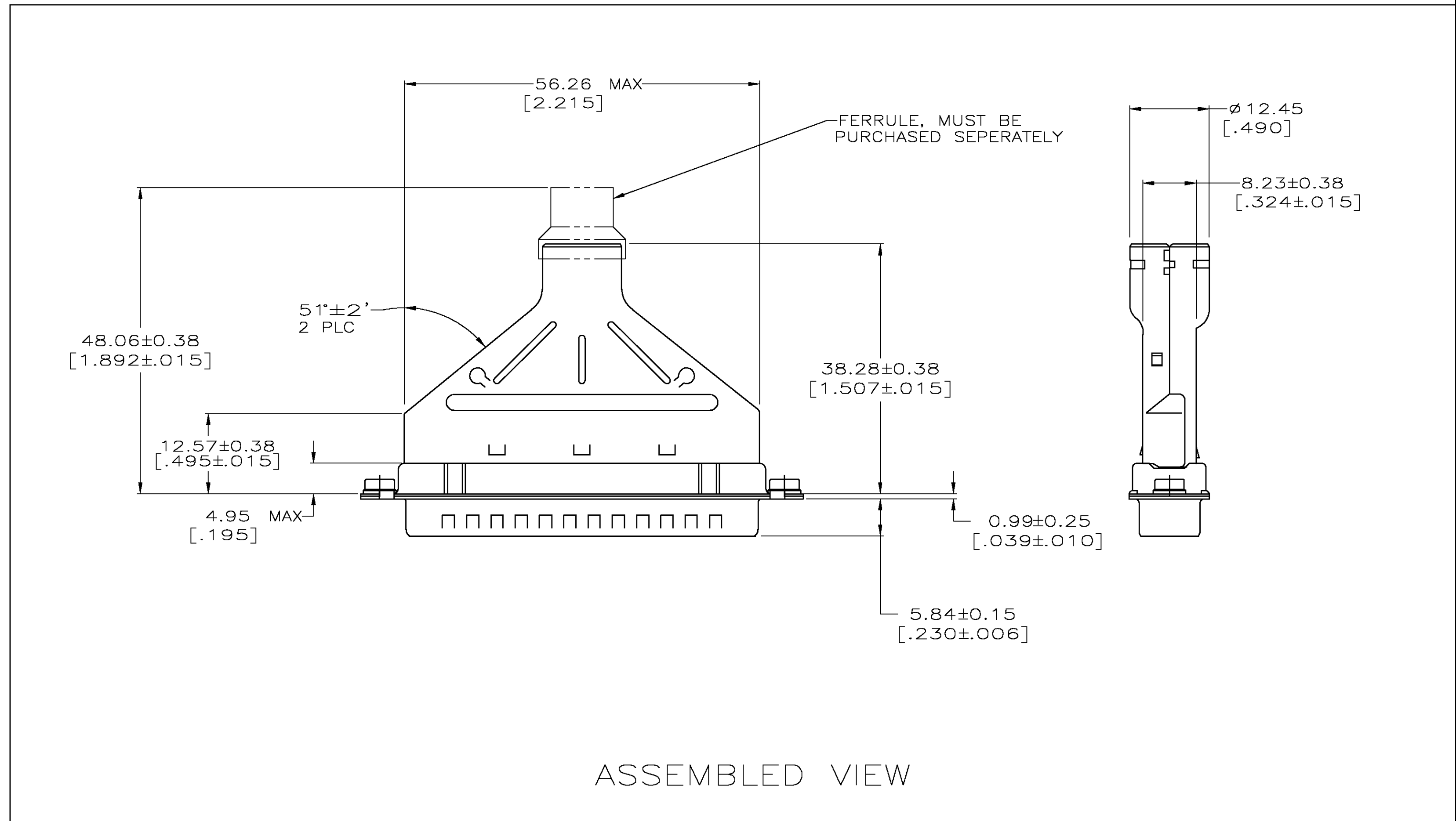
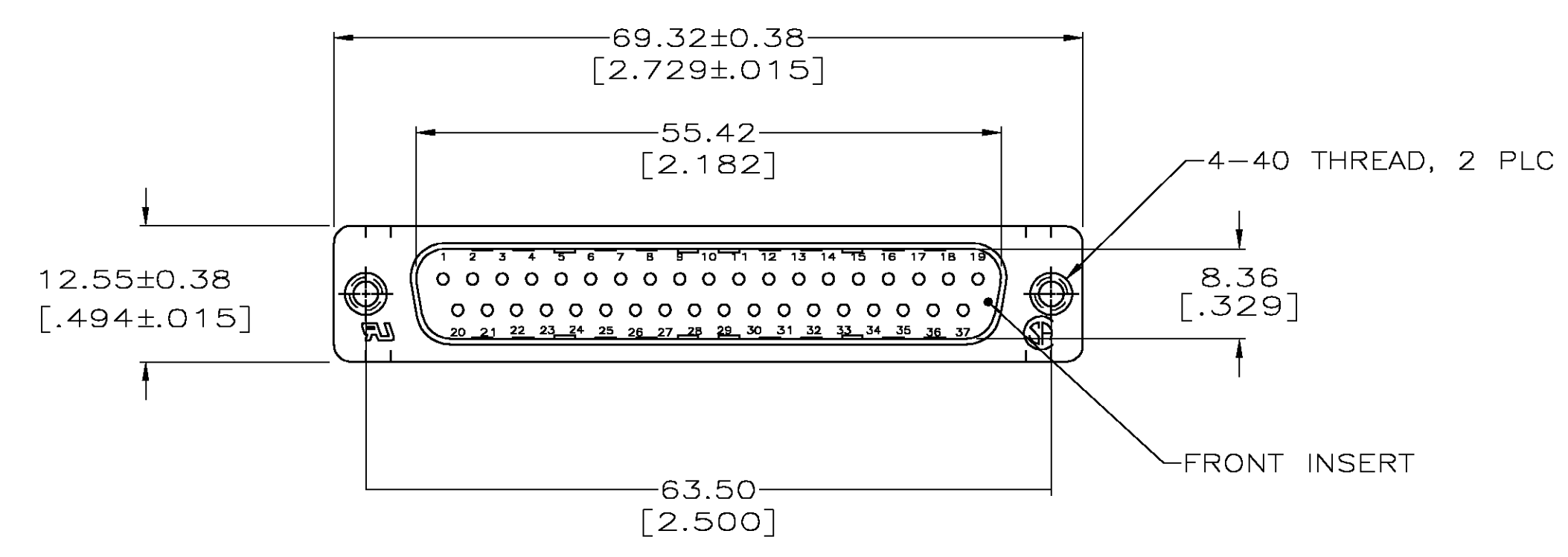
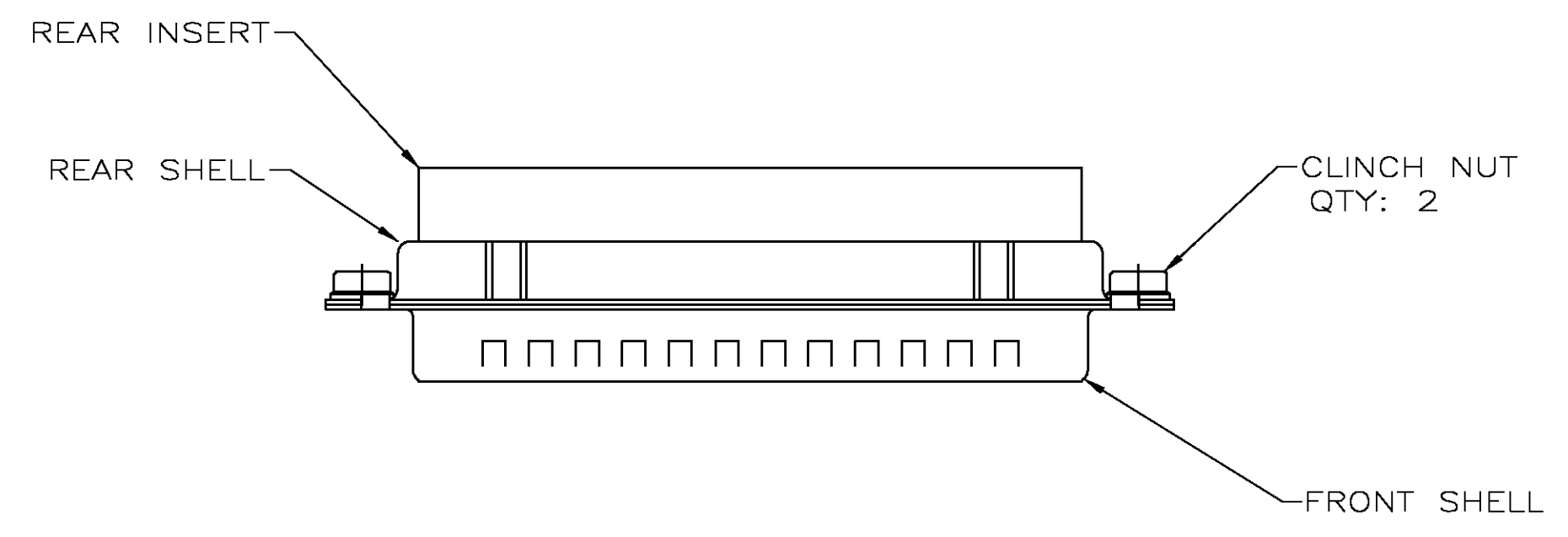
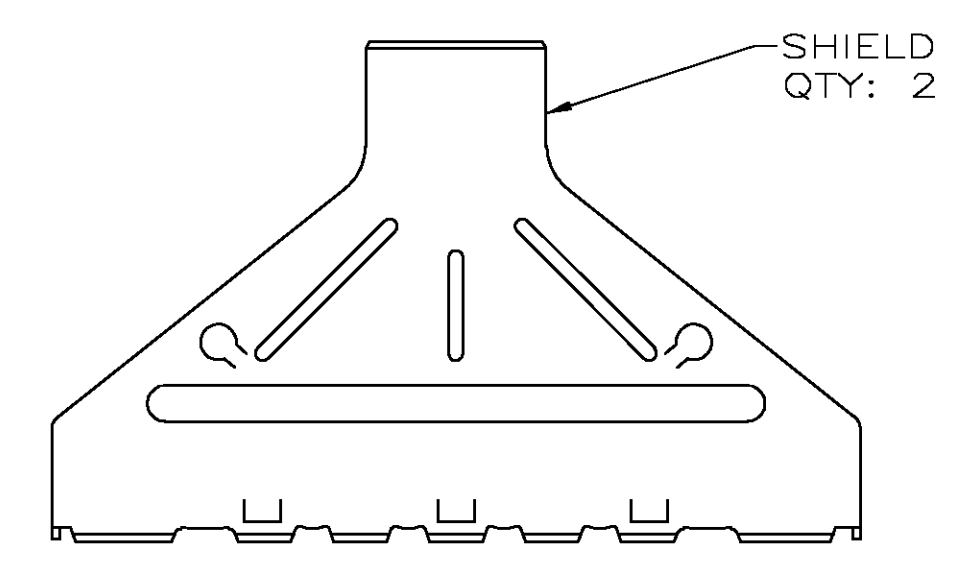


THIS DRAWING IS UNPUBLISHED. RELEASED FOR PUBLICATION
 BY TYCO ELECTRONICS CORPORATION. ALL RIGHTS RESERVED.

LOC		DIST		REVISIONS			
P	LTR	DESCRIPTION	DATE	DWN	APVD		
0		RELEASED PER EC OS13-0257-04	11-11-04	GA	JG		



ASSEMBLED VIEW

- 1 SHELLS, SHIELDS & CLINCH NUTS: CARBON STEEL.
- 2 SHELLS & SHIELDS: 5.08 μm [.000200] MIN TIN OVER 2.54 μm [.000100] MIN COPPER.
- 3 INSERTS: NYLON, UL 94V-0 RATED, GLASS FILLED, BLACK.
- 4 CLINCH NUTS: ZINC PLATED, YELLOW CHROMATE.

5786929-1
PART NO

THIS DRAWING IS A CONTROLLED DOCUMENT.		DRN G. ATTADIA - DOCK5 11-11-04	Tyco Electronics Corporation Harrisburg, PA 17105-3608
DIMENSIONS: mm [INCHES]		CHK J. GERACE 11-11-04	
TOLERANCES UNLESS OTHERWISE SPECIFIED:		APVD M. WALMSLEY 11-11-04	NAME: PLUG KIT, UNASSEMBLED, SIZE 4, 37 POSITION, WITH SHIELDING HARDWARE AND CLINCH NUT, HDP-20 AMPLIMITE
0 PLC ± - 1 PLC ± - 2 PLC ± 0.13 [005] 3 PLC ± - 4 PLC ± - ANGLES ± -		PRODUCT SPEC: 108-40005 & 108-40030 APPLICATION SPEC: 114-40030	
MATERIAL	FINISH	WEIGHT	RESTRICTED TO
			SIZE: A1 CASE CODE: 00779 DRAWING NO: C-5786929 SCALE: 4:1 SHEET: 1 OF 1 REV: 0
CUSTOMER DRAWING			